

**DESCRIPTION:**

AMC MODEL SWN-2DR/DT-AKG-IND-SP IS A SINGLE POLE TWO THROW, REFLECTIVE OR NON-REFLECTIVE/ABSORPTIVE SWITCH MODULE WITH VERY HIGH ISOLATION, LOW LOSS, HIGH SPEED AND WITH INTEGRAL TTL DRIVER, DESIGNED FOR BROAD BAND OPERATIONS.

**SPECIFICATIONS:**

- FREQUENCY: ..... 0.5 GHz TO 18 GHz
- INSERTION LOSS: ..... REFLECTIVE: 4.0dB  
..... ABSORPTIVE: 4.5dB
- ISOLATION: ..... 0.5 GHz TO 6 GHz: 110dB  
..... 6 GHz TO 18 GHz: 100dB
- VSWR: ..... REFLECTIVE IN/OUT: 2.0:1  
..... ABSORPTIVE IN/OUT: 2.0:1  
..... ABSORPTIVE OUT/OFF: 2.0:1
- SPEED: ..... RISE: 10ns TYPICAL, 15ns MAX.  
..... FALL: 10ns TYPICAL, 15ns MAX.  
..... DELAY ON: 75ns TYPICAL, 100ns MAX.  
..... DELAY OFF: 75ns TYPICAL, 100ns MAX.
- POWER INPUT: ..... (CW)+20dBm (STANDARD), +10 dBm (HIGH SPEED)
- SURVIVAL POWER: ..... 1 WATT CW, 10 WATTS PEAK 1 usec
- CONTROL: ..... TTL LOGIC "0"= J1-J2 ON "1"= J1-J3 ON
- POWER SUPPLY: ..... +5V @ 100 mA MAX.  
..... -5V @ 75mA MAX.(RELECTIVE)  
..... 100mA MAX.(ABSORPTIVE/NON-REFLECTIVE)
- SIZE: ..... 1.2" (L) x 1.00" (W) x 0.50" (H)
- WEIGHT: ..... 1.2 oz.

**OPTIONS:**

- SINGLE CONTROL WITH SOLDER PIN STANDARD
- IND-SP ..... INDEPENDANT CONTROL WITH SOLDER PIN (LOGIC "0" = ON "1" = OFF)
- 10M18 ..... 10 MHz TO 18 GHz (INSERTION LOSS INCREASES BY 1.5db AT 10 MHz AND 0.5db AT 18 GHz)
- 100M18 ..... 100 MHz TO 18 GHz (INSERTION LOSS INCREASES BY 1.5db AT 100 MHz AND 0.5db AT 18 GHz)
- 118 ..... 1 GHz TO 18 GHz (NO CHANGE IN INSERTION LOSS)
- 218 ..... 2 GHz TO 18 GHz (NO CHANGE IN INSERTION LOSS)
- 412 ..... 4 GHz TO 12.4 GHz (NO CHANGE IN INSERTION LOSS)
- 618 ..... 6 GHz TO 18 GHz (NO CHANGE IN INSERTION LOSS)
- 1218 ..... 12 GHz TO 18 GHz (NO CHANGE IN INSERTION LOSS)
- 100M20 ..... 100 MHz TO 20 GHz (INSERTION LOSS INCREASES BY 1.5db AT 100 MHz AND 1.0db AT 20 GHz)
- 220 ..... 2 GHz TO 20 GHz (INSERTION LOSS INCREASES BY 1.0db AT 20 GHz)
- 1020 ..... 10 GHz TO 20 GHz (INSERTION LOSS INCREASES BY 1.0db AT 20 GHz)
- B01 ..... -12V POWER SUPPLIES
- B02 ..... -15V POWER SUPPLIES
- B03 ..... REVERSE LOGIC "1"=ON "0"=OFF
- B04 ..... DRIVERLESS, CURRENT CONTROLLED
- B05 ..... HIGH SPEED, TURNON/TURNOFF 20 nsec MAXIMUM WHEN APPLICABLE OR OPTION HS
- B06 ..... HIGH POWER - SPECIFY CW POWER, PEAK POWER, PULSE WIDTH, DUTY CYCLE, RF FREQUENCY AND BANDWIDTH
- B07 ..... CUSTOM DESIGNED PRODUCT- SPECIFY INITIALS OF CUSTOMER
- B08 ..... LOW VIDEO TRANSIENTS - SPECIFY VIDEO BANDWIDTH
- B09 ..... LOW INSERTION LOSS VERSION
- B10 ..... HIGHER ISOLATION VERSION

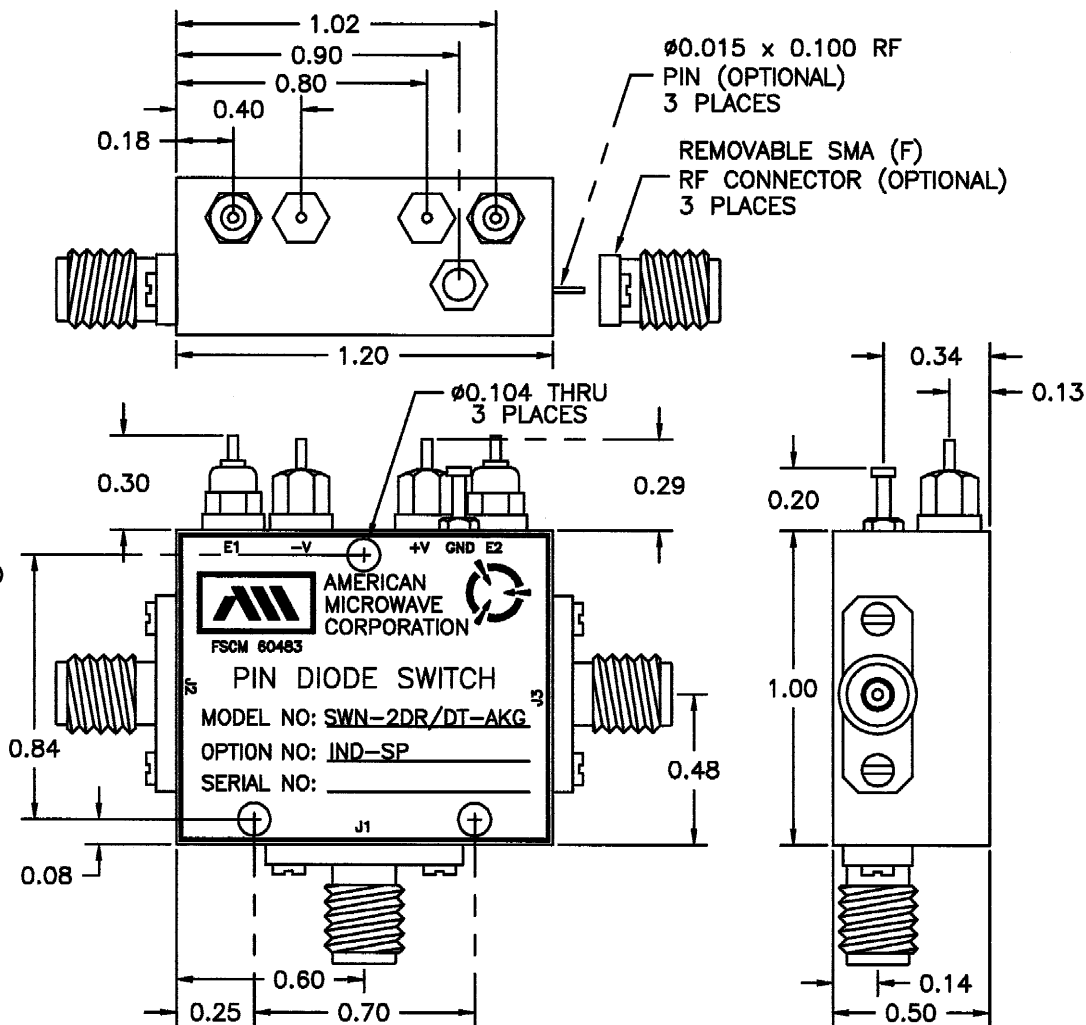
**ENVIRONMENTAL RATINGS:**

- TEMPERATURE: ..... -55°C TO +85°C (OPERATING)  
..... -85°C TO +125°C (STORAGE)
- HUMIDITY: ..... MIL-STD-202F, METHOD 103B COND. B
- SHOCK: ..... MIL-STD-202F, METHOD 2138 COND. B
- VIBRATION: ..... MIL-STD-202F, METHOD 204D COND. B
- ALTITUDE: ..... MIL-STD-202F, METHOD 105C COND. B
- TEMPERATURE CYCLE: ... MIL-STD-202F, METHOD 107D COND. A

ALL DIMENSIONS ARE IN INCHES  
TOLERANCES:  
X.XX ±0.020  
X.XXX ±0.010

NOTE: THE ABOVE SPECIFICATIONS ARE SUBJECT TO CHANGE OR REVISION

REVISIONS				
ZONE	REV.	DESCRIPTION	DATE	APPROVED
		ORIGINAL RELEASE	1/27/99	



NOTE:  
DR=WITH DRIVER, REFLECTIVE  
DT=WITH DRIVER, NON-REFLECTIVE/ABSORPTIVE

APPROVALS		DATE	AMERICAN MICROWAVE CORPORATION FREDERICK, MARYLAND	
DRAWN WYP, RRA		1/27/99	TITLE OUTLINE DRAWING SWN-2DR/DT-AKG-IND-SP SOLID STATE SWITCH	
CHECKED			SIZE A	FSCM NO. 60483
ISSUED			DWG NO. 100-4790-2	REV.
			SCALE N/S	SHEET 1 of 2